

Model SBF-100 & SBF-200 Circulator

Installation and Operating Instructions

NOTE: The SBF-100 and SBF-200 Circulator is to be used only with V-90, V-100, HMU and HMUT series gas logs!

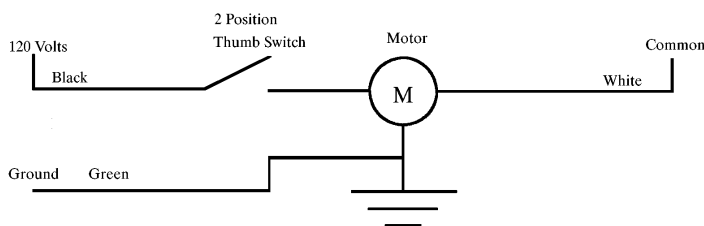
INSTALLATION:

1. Gas supply must be turned off before installing the SBF-Series Circulator.
2. If the gas log set has been installed before the circulator is installed, the logs must be removed from the grate.
3. Install the circulator in the fireplace with the discharge duct facing the room. If the burner unit is already installed, tilt the circulator forward so that the leg plate is perpendicular to the floor. After the circulator leg plate is behind the burner unit, rotate the circulator to its normal position. (See Figure 1)

If the burner unit has not been installed, place the circulator in the rear of the fireplace facing forward. (See Figure 1)

When properly installed, the circulator should be 1/8" from the rear of the grate and in the center of the burner unit. If the leg assembly will not slide underneath the grate assembly due to the regulator, slide the circulator slightly to one side and complete installation.

4. This appliance is equipped with a three-prong (grounding) plug for your protection against shock hazard and must be grounded in accordance with the National Electrical Code, ANSI/NFPA No. 70-1991.
5. Route the electric cord on the bottom of the fireplace. Do not route the cord under the circulator.
6. Position logs on the burner unit as described in the gas log instruction manual that was packaged with your log set. If the entire log set had to be removed from the fireplace, reinstall according to the log set instructions.



Wiring Diagram

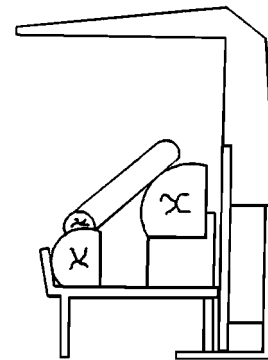


Figure 1

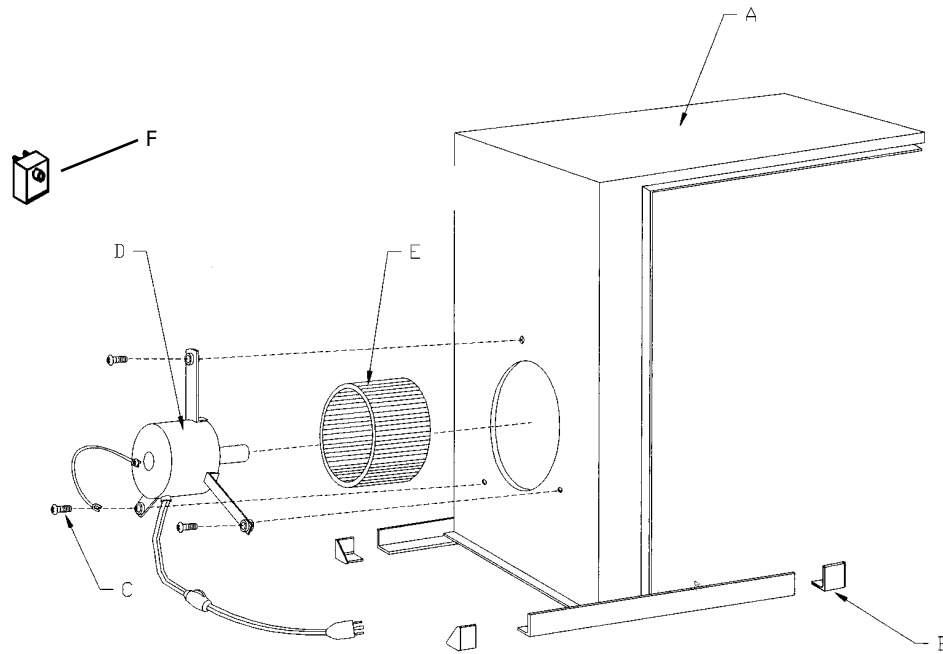
If any of the original wire as supplied with the appliance must be replaced, it must be replaced with type SPT2 or its equivalent

OPERATION:

NOTE: There may be some initial smoke and/or odor from the blower for the first hours of operation.

1. Plug the Dial-A-Temp speed control into a 110 volt outlet.
2. Plug the circulator cord into the bottom of the Dial-A-Temp speed control.
3. Turn the in line switch on the circulator to the "ON" position.
4. If glass doors are installed on the fireplace, the doors must be opened completely while the unit is operating.

WARNING: Do not operate gas logs while the circulator is off. This can cause damage to the circulator.



| KEY LETTER | PART NUMBER | DESCRIPTION |
|------------|-------------|-----------------------------------|
| A | 11-1905 | SBF duct and base |
| B | 11-1906 | Rubber grommet |
| C | 11-1901 | Self tapping screw # 8 x 1" |
| D | 11-1907 | Motor with cord & switch assembly |
| E | 11-1908 | Blower wheel |
| F | 02-1037 | Dial-A-Temp speed control |

Parts may be ordered directly from:

HEATMASTER, INC.
3625 Benson Road, P.O. Box 1717
Angier, NC 27501
(919) 639-4568



When ordering, please include complete part number and description.

CHART

The following log sets can be used with the SBF Series Circulator.

| LOG SET MODEL NUMBER | SBF-100 | SBF-200 |
|---------------------------------|----------------|----------------|
| V100-18LP | Yes | Yes |
| V100-18NAT | Yes | Yes |
| V100-27LP | No | Yes |
| V100-27NAT | No | Yes |
| V90-18LP | Yes | Yes |
| V90-18NAT | Yes | Yes |
| V90-24LP | Yes | Yes |
| V90-24NAT | No | Yes |
| V90-30LP | Yes | Yes |
| V90-30NAT | No | Yes |
| HMU-18LP | No | Yes |
| HMU-18NAT | No | Yes |
| HMU-24LP | No | Yes |
| HMU-24NAT | No | Yes |
| HMU-33LP | No | Yes |
| HMU-33NAT | No | Yes |
| HMUT-18LP | No | Yes |
| HMUT-18NAT | No | Yes |
| HMUT-24LP | No | Yes |
| HMUT-24NAT | No | Yes |
| HMUT-33LP | No | Yes |
| HMUT-33NAT | No | Yes |