

Model SBF-300 Circulator

INSTALLATION AND OPERATING INSTRUCTIONS



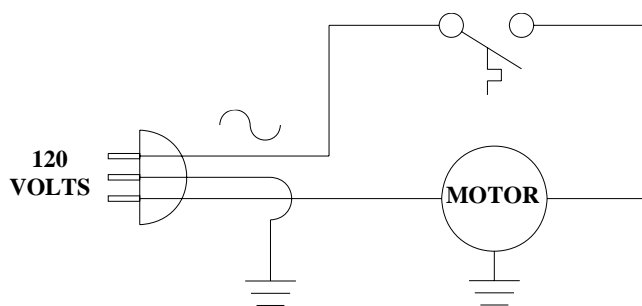
NOTE: The SBF-300 Circulators are approved for use with all of the following gas log sets: HM2 and MGVF.

INSTALLATION:

1. Gas supply must be turned “OFF” before installing the SBF-Series Circulator.
2. If the gas log set has been installed before the circulator is installed, the logs must be removed from the grate.
3. The SBF-Series Circulator is adjusted by removing three screws and sliding down to the other holes and reinserting the three screws. This should only be done if the fireplace is shorter than the Circulator. Install the circulator in the fireplace with the discharge duct facing the room. If the burner unit is already installed, tilt the circulator forward so that the legs are perpendicular to the floor. After the circulator legs are behind the burner unit, rotate the circulator to its normal position (See Figure 1).

Note: When properly installed, the circulator should be 1/8” from the rear of the grate and in the center of the burner unit. If the leg assembly will not slide underneath the grate assembly due to the regulator, slide the circulator slightly to one side and complete the installation.

4. This appliance is equipped with a three-prong (grounding) plug for your protection against shock hazard and must be grounded in accordance with the National Electrical Code, ANSI/NFPA No. 70-1991.
5. Route the electric cord on the bottom of the fireplace. Do not route the cord under the circulator.
6. Position logs on the burner unit as described in the gas log instruction manual that was packaged with your log set.



SBF Series Wiring Diagram

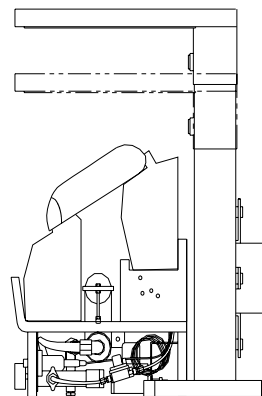


Figure 1

NOTE: If any of the original wire that was supplied with the appliance, needs to be replaced, it must be replaced with type SPT2 or its equivalent.

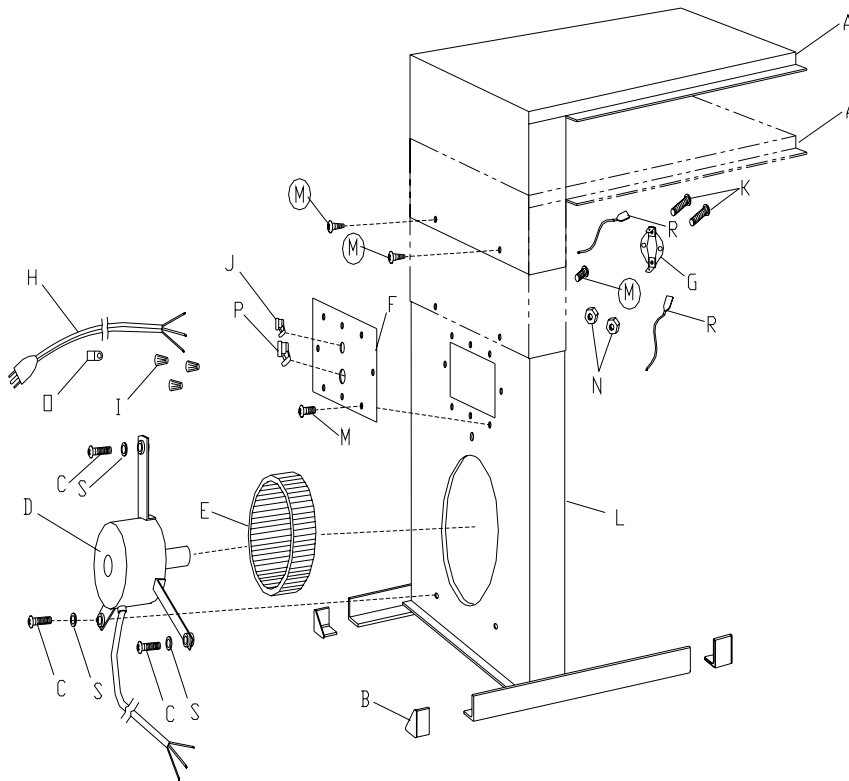
OPERATION:

NOTE: There may be some initial smoke and/or odor from the blower during the first hours of operation.

1. Plug the circulator cord into a 110 volt outlet.
2. The circulator is equipped with a built-in thermostat that will cause the fan to operate with the burner unit operating. The burner unit may need to operate approximately (5) minutes before the fan thermostat allows the fan to turn on. After the burner shuts off, the fan may continue to run for approximately (5) minutes before the fan thermostat allows it to shut off. The fan is designed to automatically operate with the burner unit as long as the electrical cord is plugged in.
3. If glass doors are installed on the fireplace, the doors must be opened completely while the unit is operating.

WARNING: Do not operate gas logs while the circulator is off. This can cause damage to the circulator.

PARTS DIAGRAM



KEY LETTER	PART NUMBER	PART DESCRIPTION
------------	-------------	------------------

A		Top Duct Assy.
B	11-1909	Cap, base leg
C	11-1901	Screw, #8 x 1", self-tap
D	16-1600	Motor, w/24" cord
E	11-1908	Blower wheel
F	MT-1906-CP	Cover plate
G	11-1395	Thermodisc
H	02-1066	Cord, 12'
I	02-1056	Wire nut
J	02-1058	Grommet
K	04-1012	Screw, 10-32 x 1-1/4"
L		Bottom Duct Assy.
M	06-1032	Screw, #8 x 1/2", self-tap
N	FAS-10-32LN	Nut, 10-32, locking
O	11-1101	Clip
P	16-1201	Grommet
R	01-1071	Connector
S	11-1465	Washer #8
Not Shown	02-1037	Rheostat

THE FOLLOWING LOG SETS CAN BE USED WITH THE SBF SERIES CIRCULATOR.

LOG SET MODEL NUMBER
HM2-MAN-18LP
HM2-MAN-18NAT
HM2-MAN-24LP
HM2-MAN-24NAT
HM2-MAN-33LP
HM2-MAN-33NAT
HM2-TSTAT-18LP
HM2-TSTAT-18NAT
HM2-TSTAT-24LP
HM2-TSTAT-24NAT
HM2-TSTAT-33LP
HM2-TSTAT-33NAT
HM2-MIL-18LP
HM2-MIL-18NAT
HM2-MIL-24LP
HM2-MIL-24NAT
HM2-MIL-33LP
HM2-MIL-33NAT
MGVF-MV-20LP
MGVF-MV-20NAT
MGVF-MV-22LP
MGVF-MV-22NAT
MGVF-MV-27LP
MGVF-MV-27NAT

HEATMASTER, LLC. LIMITED WARRANTY

All refractory cement logs manufactured by Heatmaster LLC. have a lifetime warranty against breakage due to heat to the original owner in the original installation.

All other logs supplied from Heatmaster LLC. have a 2 year warranty against breakage due to heat to the original owner in the original installation.

All metal parts, including burners and grate assemblies, are warranted for 5 years.

All other mechanical parts are warranted for 1 year.

LIMITATIONS

1. Heatmaster, LLC.'s obligations to the purchaser under this warranty are limited to the repair or replacement of defective part.
2. Repairs or replacement will be performed by Heatmaster, LLC. following delivery of the product by the purchaser to Heatmaster, LLC.'s facility in Angier, North Carolina. The cost of mailing or other delivery to Heatmaster, LLC. shall be borne by the purchaser. The mailing address is: Heatmaster, LLC., 3625 Benson Rd., Angier, NC 27501.
3. Along with the product, the purchaser shall include a written explanation of the approximate date the product was purchased, the dealer or person from whom the product was purchased, the date the defect was first noticed, a description of the nature of the defect, and what the purchaser did, if anything, to repair or correct the defect.
4. To the extent allowed by law, any **implied warranty of merchantability of fitness** applicable to this product is limited to the duration of this warranty. Heatmaster, LLC. shall not be liable for loss of use of this product, loss of time, inconvenience, commercial loss or consequential damages. The remedy of repair or replacement of a defective part during the warranty period herein specified shall be the purchasers exclusive remedy.
5. Heatmaster, LLC. is not responsible for any loss or damages caused by purchaser's failure to follow operating & maintenance instructions provided in owners manual.

Dear Purchaser:

We are pleased that you have selected our product and take this opportunity to assure you that qualified service is available if required.

Who gets the warranty?	The warranty is limited to the consumer who originally purchased the product.
What is covered?	This limited warranty covers all imperfections in workmanship and material.
What is not covered?	This limited warranty does not cover damage resulting from accident, misuse or abuse, lack of proper maintenance, affixing of any attachments not provided with the products, or loss of parts. IN NO EVENT SHALL HEATMASTER, LLC. BE LIABLE FOR ANY SPECIAL, INCIDENTAL OR CONSEQUENTIAL DAMAGES RESULTING FROM MISUSE OR MODIFICATION OF THIS PRODUCT.

DEFECTIVE PARTS OR BROKEN LOGS FOR REPLACEMENT MUST BE RETURNED TO THE FACTORY PREPAID ALONG WITH PROOF OF PURCHASE. FACTORY WILL REPAIR OR REPLACE AT FACTORY OPTION AND RETURN TO PURCHASER FREIGHT PREPAID.